



**"GX" PROFILE NIPPLE
(SELECTIVE)**

The Model "GX" Profile Nipple offers an expanded versatility to downhole selection. Any desired number of "VX" Nipples can be placed in the production string, thereby offering an unlimited number of positions for setting and locking surface controls.

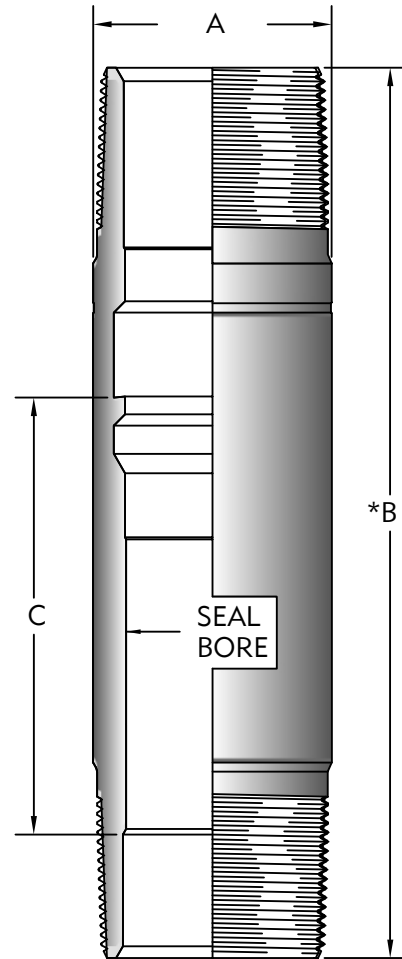
APPLICATIONS:

1. Land blanking plugs to shut in well or to test the production tubing.
2. Land Velocity Type Safety Valves.
3. Land equalizing check valves.
4. Land circulating blanking plugs.
5. Land chokes to reduce surface flowing pressures.
6. Land instrument hangers with geophysical devices such as pressure and temperature recorders.

All Premium Threads Available

MATERIAL SELECTION:

4140 P-110	9CH 80K MYS
4140 L-80	13CH 80K MYS (STD.)
17-4 PH HH 1150SS	13CH 90K MYS
718 INCONNEL	13CH 95K MYS
316SS	13CH 100K MYS
410SS	



DIMENSIONAL DATA / INCHES

SIZE	PART NO.	SEAL BORE	A	*B	C
	MATERIAL OR TUBING THREADS NOT SPECIFIED				
1.50	1100-00-150-XXX	1.500	2.200	9.375	+4.937
1.62	1100-00-150-XXX	1.625	2.620	11.250	+4.806
1.87	1100-00-150-XXX	1.875	2.730	10.375	+4.775
2.31	1100-00-150-XXX	2.313	3.200	10.625	+4.635
2.75	1100-00-150-XXX	2.750	3.900	15.082	+5.550
2.81	1100-00-150-XXX	2.812			+5.500

* Length of nipple is as shown, varying with thread and bore size relationships.



**"GXN" PROFILE NIPPLE
(NON-SELECTIVE)**

The Model "GXN" Profile Nipple is a BOTTOM NoGo Nipple that provides for the location of various wireline flow control devices in the production string.

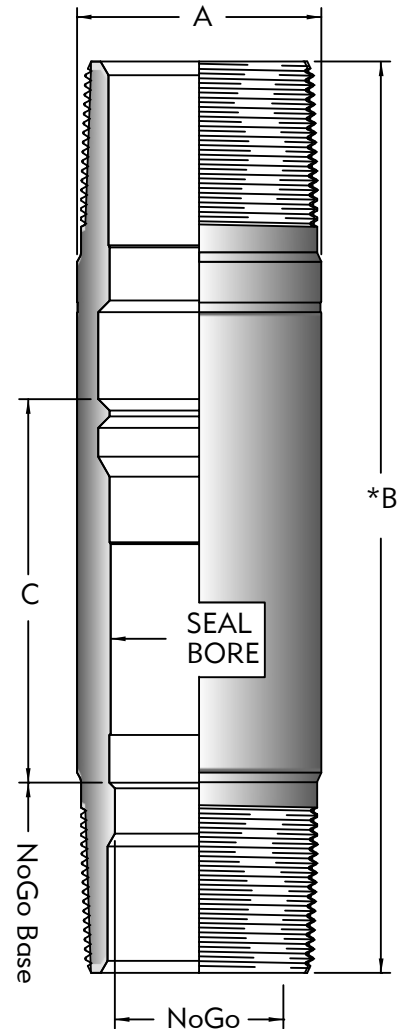
APPLICATIONS:

1. Land blanking plugs to shut in well or to test the production tubing.
2. Land Velocity Type Safety Valves.
3. Land equalizing check valves.
4. Land circulating blanking plugs.
5. Land chokes to reduce surface flowing pressures.
6. Land instrument hangers with geophysical devices such as pressure and temperature recorders.
7. Restricted I.D. catches tools dropped during wireline work.

All Premium Threads Available

MATERIAL SELECTION:

4140 P-110	9CH 80K MYS
4140 L-80	13CH 80K MYS (STD.)
17-4 PH HH 1150SS	13CH 90K MYS
718 INCONNEL	13CH 95K MYS
316SS	13CH 100K MYS
410SS	



DIMENSIONAL DATA / INCHES

SIZE	PART NO.	SEAL BORE	NoGo BORE	A	*B	C
	MATERIAL OR TUBING THREADS NOT SPECIFIED					
1.50	1101-00-150-XXX	1.500	1.448	2.200	10.625	5.087
1.62	1101-00-150-XXX	1.625	1.536	2.620	12.500	4.956
1.87	1101-00-150-XXX	1.875	1.791	2.730	11.375	4.945
2.31	1101-00-150-XXX	2.313	2.205	3.200	11.875	5.025
2.75	1101-00-150-XXX	2.750	2.638	3.900	15.082	5.813

* Length of nipple is as shown, varying with thread and bore size relationships.



**"GF" PROFILE NIPPLE
(SELECTIVE)**

The Model "GF" Profile Nipple is a TOP NoGo Nipple that provides for the location of various wireline flow control devices in the production string.

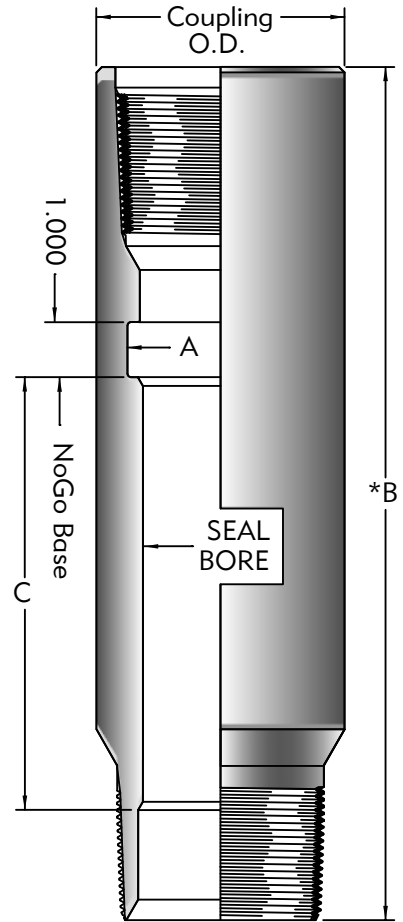
APPLICATIONS:

1. Land blanking plugs to shut in well or to test the production tubing.
2. Land Velocity Type Safety Valves.
3. Land equalizing check valves.
4. Land circulating blanking plugs.
5. Land chokes to reduce surface flowing pressures.
6. Land instrument hangers with geophysical devices such as pressure and temperature recorders.

All Premium Threads Available

MATERIAL SELECTION:

4140 P-110	9CH 80K MYS
4140 L-80	13CH 80K MYS (STD.)
17-4 PH HH 1150SS	13CH 90K MYS
718 INCONNEL	13CH 95K MYS
316SS	13CH 100K MYS
410SS	



DIMENSIONAL DATA / INCHES

SIZE	PART NO.	SEAL BORE	A	*B	C
	MATERIAL OR TUBING THREADS NOT SPECIFIED				
1.50	1102-00-150-XXX	1.500	1.875	11.0-15.0	+5.44
1.56	1102-00-156-XXX	1.562	2.000		+5.50
1.62	1102-00-162-XXX	1.625			+5.44
1.78	1102-00-178-XXX	1.781	2.312	12.0-17.0	+6.50
1.81	1102-00-181-XXX	1.812			+6.44
1.87	1102-00-187-XXX	1.875			+6.38
2.25	1102-00-225-XXX	2.250	2.812	13.0-18.0	+6.75
2.31	1102-00-231-XXX	2.312			+6.69
2.56	1102-00-256-XXX	2.562	3.185		+9.375
2.75	1102-00-275-XXX	2.750			3.375
2.81	1102-00-281-XXX	2.812			
3.68	1102-00-368-XXX	3.688	4.375	16.12-18.62	+7.50
3.75	1102-00-375-XXX	3.750			
3.81	1102-00-381-XXX	3.812			

* Length of nipple is as shown, varying with thread and bore size relationships.



**"GR" PROFILE NIPPLE
(NON-SELECTIVE)**

The Model "GR" Profile Nipple is a BOTTOM NoGo Nipple that provides for the location of various wireline flow control devices in the production string.

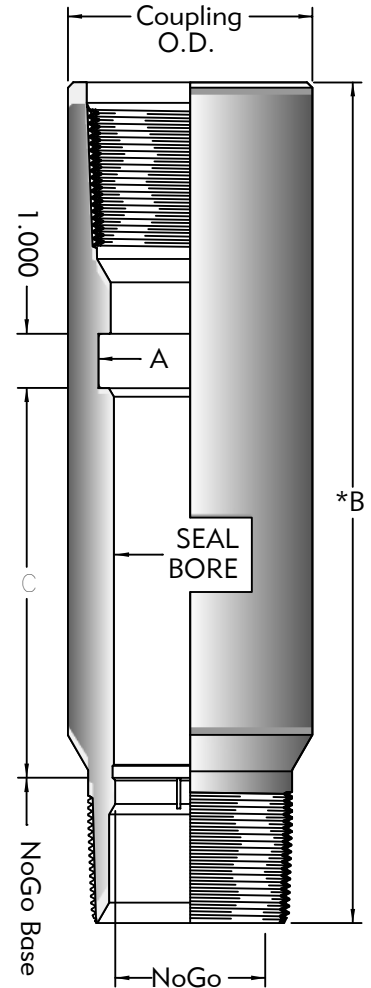
APPLICATIONS:

1. Land blanking plugs to shut in well or to test the production tubing.
2. Land Velocity Type Safety Valves.
3. Land equalizing check valves.
4. Land circulating blanking plugs.
5. Land chokes to reduce surface flowing pressures.
6. Land instrument hangers with geophysical devices such as pressure and temperature recorders.
7. Restricted I.D. catches tools dropped during wireline work.

All Premium Threads Available

MATERIAL SELECTION:

4140 P-110	9CH 80K MYS
4140 L-80	13CH 80K MYS (STD.)
17-4 PH HH 1150SS	13CH 90K MYS
718 INCONNEL	13CH 95K MYS
316SS	13CH 100K MYS
410SS	



DIMENSIONAL DATA / INCHES

SIZE	PART NO.	SEAL BORE	NoGo BORE	A	*B	C
	MATERIAL OR TUBING THREADS NOT SPECIFIED					
1.43	1103-00-143-XXX	1.437	1.385	1.875	9.50-12.0	4.88
1.50	1103-00-150-XXX	1.500	1.447	1.875		
1.56	1103-00-156-XXX	1.562	1.510	2.000		4.86
1.62	1103-00-162-XXX	1.625	1.572			
1.78	1103-00-178-XXX	1.781	1.728	2.312	12.0-17.0	5.81
1.81	1103-00-181-XXX	1.812	1.760			
1.87	1103-00-187-XXX	1.875	1.822			
2.25	1103-00-225-XXX	2.250	2.197	2.812	13.0-18.0	6.12
2.31	1103-00-231-XXX	2.312	2.260			
2.56	1103-00-256-XXX	2.562	2.443	3.185		8.843
2.75	1103-00-275-XXX	2.750	2.697			
2.81	1103-00-281-XXX	2.812	2.759	3.375		6.70
3.68	1103-00-368-XXX	3.688	3.625	4.375	14.75-18.62	
3.75	1103-00-375-XXX	3.750	3.700			
3.81	1103-00-381-XXX	3.812	3.759			

* Length of nipple is as shown, varying with thread and bore size relationships.

"GOR" PROFILE NIPPLE (SELECTIVE)

The Model GOR Profile Nipple offers a Nipple which can be used in heavy tubing applications. It offers various inside diameters which allows well operator to selectively pick wherever to locate the GOR nipples in the tubing string. The blanking plug offers a higher pressure rating than the normal weight tubing blanking plugs.



APPLICATIONS:

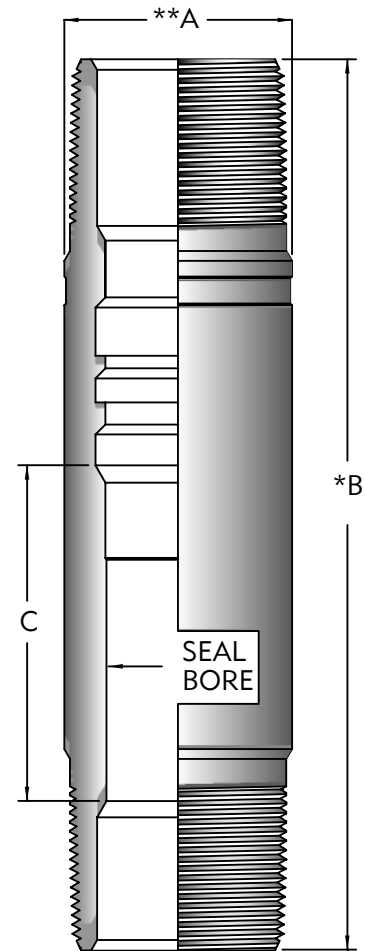
1. Land blanking plugs to shut well in or to test packer and production string.
2. Land velocity sub surface safety valves.
3. Land bottom hole chokes, check valves, circulating blanking plugs, instrument hangers.
4. All Premium threads available.

MATERIAL SELECTION:

4140 P-110	9CH 80K MYS
4140 L-80	13CH 80K MYS (STD.)
17-4 PH HH 1150SS	13CH 90K MYS
718 INCONNEL	13CH 95K MYS
316SS	13CH 100K MYS
410SS	

DIMENSIONAL DATA / INCHES

SIZE	PART NO.	SEAL BORE	**A	*B	C
	MATERIAL OR TUBING THREADS NOT SPECIFIED				
1.50	1104-00-150-XXX	1.500	2.200	9.375	4.000
1.62	1104-00-162-XXX	1.625	2.620	9.375	
1.71	1104-00-171-XXX	1.710	2.730	10.687	
1.78	1104-00-178-XXX	1.781	2.730	10.687	
1.87	1104-00-187-XXX	1.875	2.730	10.687	
1.90	1104-00-190-XXX	1.905	2.875	10.687	
1.94	1104-00-194-XXX	1.940	2.875	10.687	
2.00	1104-00-200-XXX	2.000	2.875	11.625	
2.12	1104-00-212-XXX	2.125	3.200	11.625	4.100
2.18	1104-00-218-XXX	2.188	3.200	11.625	
2.31	1104-00-231-XXX	2.313	3.900	12.750	
2.38	1104-00-238-XXX	2.380	3.900	12.750	
2.43	1104-00-243-XXX	2.437	3.900	12.750	
2.56	1104-00-256-XXX	2.562	3.900	12.750	
2.75	1104-00-275-XXX	2.750	3.900	13.750	
2.81	1104-00-281-XXX	2.813	3.900	13.750	



Drawing Shown with EUE Pin x Pin Threads

* Length of nipple is as shown, varying with thread and bore size relationships.
 ** O.D. of nipple is as shown, varying with thread and coupling size relationships.



"GORN" PROFILE NIPPLE (SELECTIVE)

The Model GORN Profile Nipple offers a Nipple which can be used in heavy tubing applications. It is a Bottom No Go Nipple so care must be taken when determining where to locate this Nipple. The Nipple offers various inside diameters which allows well operator to selectively pick a GORN Bottom No Go Nipple to meet his well requirements. The blanking plug offers a higher pressure rating than the normal weight tubing blanking plugs.

APPLICATIONS:

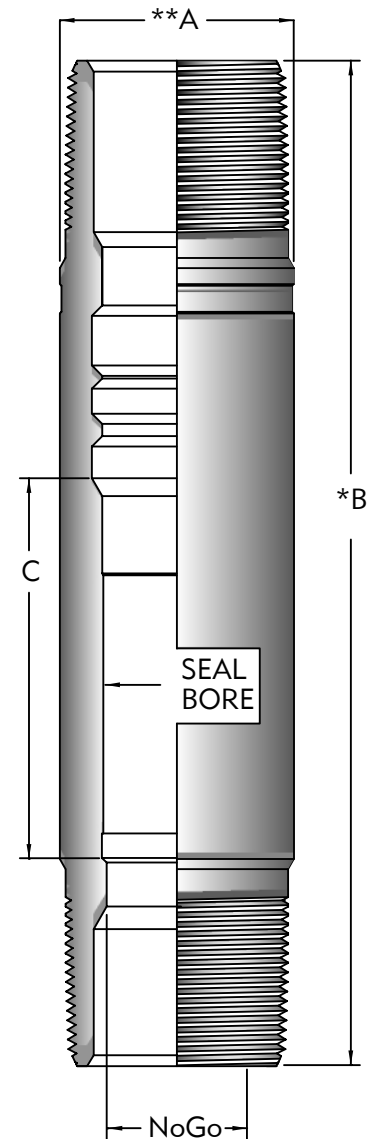
1. Land blanking plugs to shut well in or to test packer and production string.
2. Land velocity sub surface safety valves.
3. Land bottom hole chokes, check valves, circulating blanking plugs, instrument hangers.
4. Premium threads available.
5. Restricted I.D. catches tools lost during wireline work.

MATERIAL SELECTION:

4140 P-110	9CH 80K MYS
4140 L-80	13CH 80K MYS (STD.)
17-4 PH HH 1150SS	13CH 90K MYS
718 INCONNEL	13CH 95K MYS
316SS	13CH 100K MYS
410SS	

DIMENSIONAL DATA / INCHES

SIZE	PART NO.	SEAL BORE	No Go	**A	*B	C
	MATERIAL OR TUBING THREADS NOT SPECIFIED					
1.37	1105-00-137-XXX	1.375	1.255	2.200	9.375	4.180
1.50	1105-00-150-XXX	1.500	1.350	2.200	9.375	4.330
1.71	1105-00-171-XXX	1.710	1.565	2.730	10.687	4.380
1.78	1105-00-178-XXX	1.781	1.645	2.730	10.687	4.380
1.87	1105-00-187-XXX	1.875	1.721	2.730	10.687	4.270
2.00	1105-00-200-XXX	2.000	1.886	2.875	11.625	4.250
2.12	1105-00-212-XXX	2.125	1.942	3.200	11.625	4.200
2.18	1105-00-218-XXX	2.188	2.015	3.200	11.625	4.920
2.31	1105-00-231-XXX	2.313	2.136	3.900	12.750	4.800
2.56	1105-00-256-XXX	2.562	2.334	3.900	12.750	4.380



Drawing Shown with
EUE Pin x Pin Threads

* Length of nipple is as shown, varying with thread and bore size relationships.
** O.D. of nipple is as shown, varying with thread and coupling size relationships.



**"GN" PROFILE NIPPLE
(NON-SELECTIVE)**

The Model "GN" Profile Nipple is a BOTTOM NoGo Nipple that provides for the location of various wireline flow control devices in the production string.

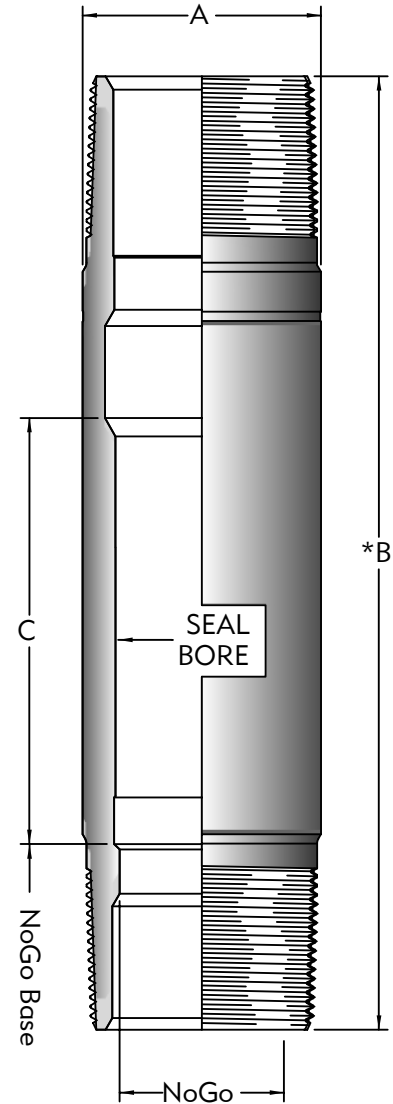
APPLICATIONS:

1. Land blanking plugs to shut in well or to test the production tubing.
2. Land Velocity Type Safety Valves.
3. Land equalizing check valves.
4. Land circulating blanking plugs.
5. Land chokes to reduce surface flowing pressures.
6. Land instrument hangers with geophysical devices such as pressure and temperature recorders.
7. Restricted I.D. catches tools dropped during wireline work.

All Premium Threads Available

MATERIAL SELECTION:

4140 P-110	9CH 80K MYS
4140 L-80	13CH 80K MYS (STD.)
17-4 PH HH 1150SS	13CH 90K MYS
718 INCONNEL	13CH 95K MYS
316SS	13CH 100K MYS
410SS	



DIMENSIONAL DATA / INCHES

SIZE	PART NO.	SEAL BORE	NoGo BORE	A	*B	C
	MATERIAL OR TUBING THREADS NOT SPECIFIED					
1.50	1130-00-150-XXX	1.500	1.448	2.200	8.750	4.813
1.87	1130-00-187-XXX	1.875	1.791	2.730	11.125	
2.31	1130-00-231-XXX	2.313	2.205	3.200	12.125	4.781

* Length of nipple is as shown, varying with thread and bore size relationships.